

FRIGHT PROPS

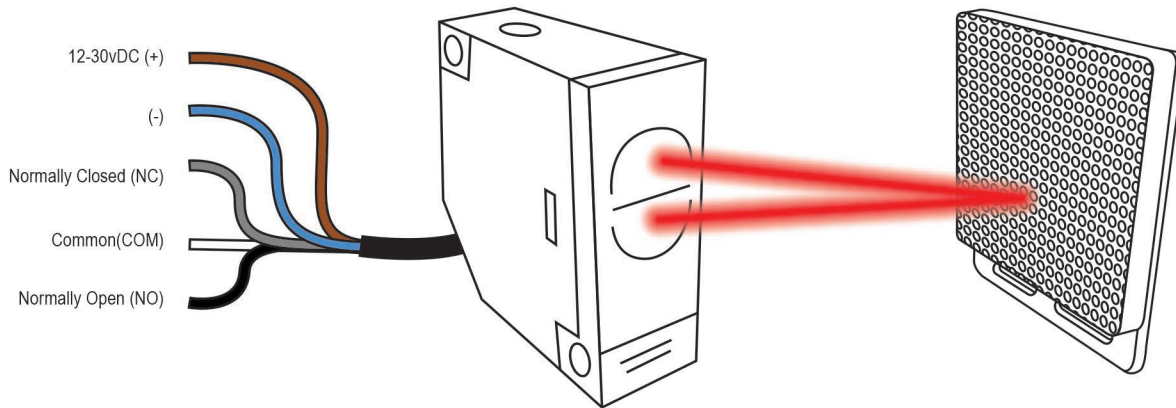
BEAM SENSOR WITH RELAY

PRODUCT CODE #0696

www.frightprops.com

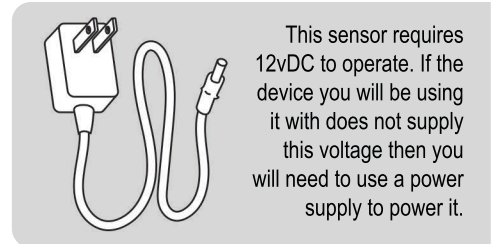
OPERATION

When beam is broken WHITE and BLACK are contacted together completing a circuit and WHITE and GREY are opened (GREY is not normally used). The Beam Sensor must have 12-30VDC supplied to the BROWN (+) and BLUE (-) wires.

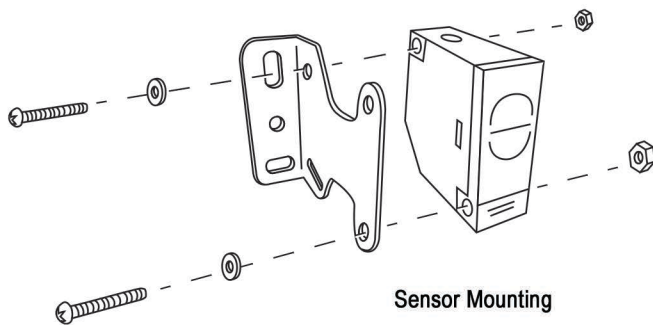


FEATURES

- Range: 13ft (4m)
- DC 12-30VDC
- Relay contact output: 250VAC 2.5A MAX.
- Light Source: Red LED
- Retroreflective
- Light ON operation
- Pre-wired 6-foot cord
- Bracket and mounting hardware included
- Adjustable sensing distance
- Compact size

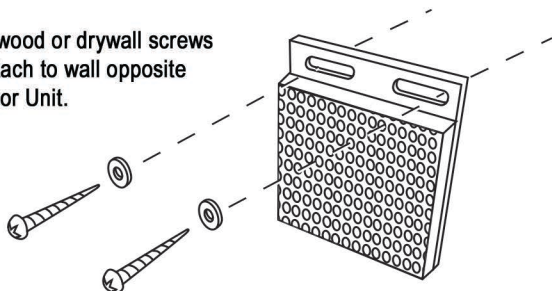


INSTALLATION AND ADJUSTMENT

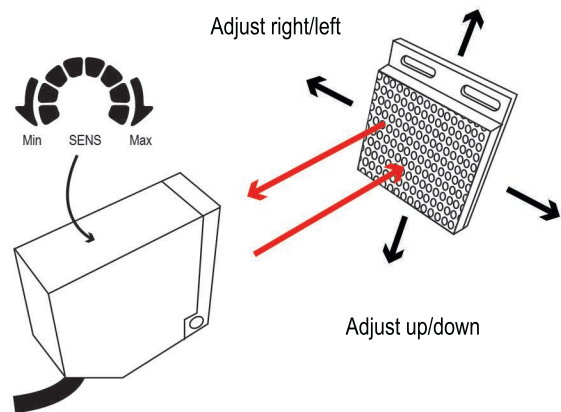


Sensor Mounting

Use wood or drywall screws to attach to wall opposite Sensor Unit.

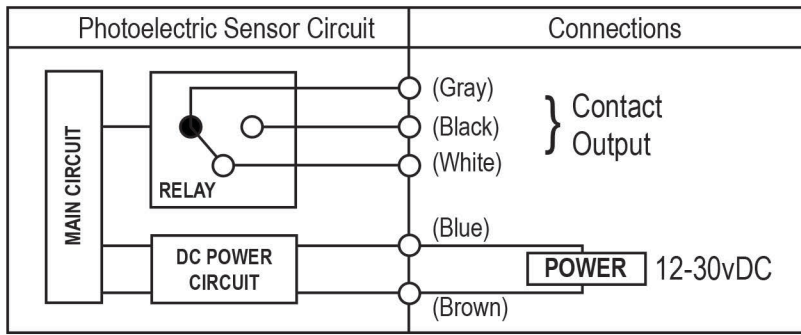


Reflector Mounting



1. Supply power to the sensor.
2. Position sensor and reflector mirror face-to-face at least 2ft away from each other. You will hear the relay click inside of the sensor as the beam is positioned correctly.
3. Adjustment of "SENS" dial on top of sensor is critical to proper detection.

WIRING DIAGRAM



NOTES

- In all of these examples, swapping Grey for Black will cause the circuit to be normally closed instead of normally open.
- Minimum distance from reflector is about 2ft. Make sure reflector is installed at least that far away. After positioning, adjustment of "SENS" dial on top of unit is critical to successful operation.

COMMON WIRING CONFIGURATIONS

