

FRIGHTPROPS

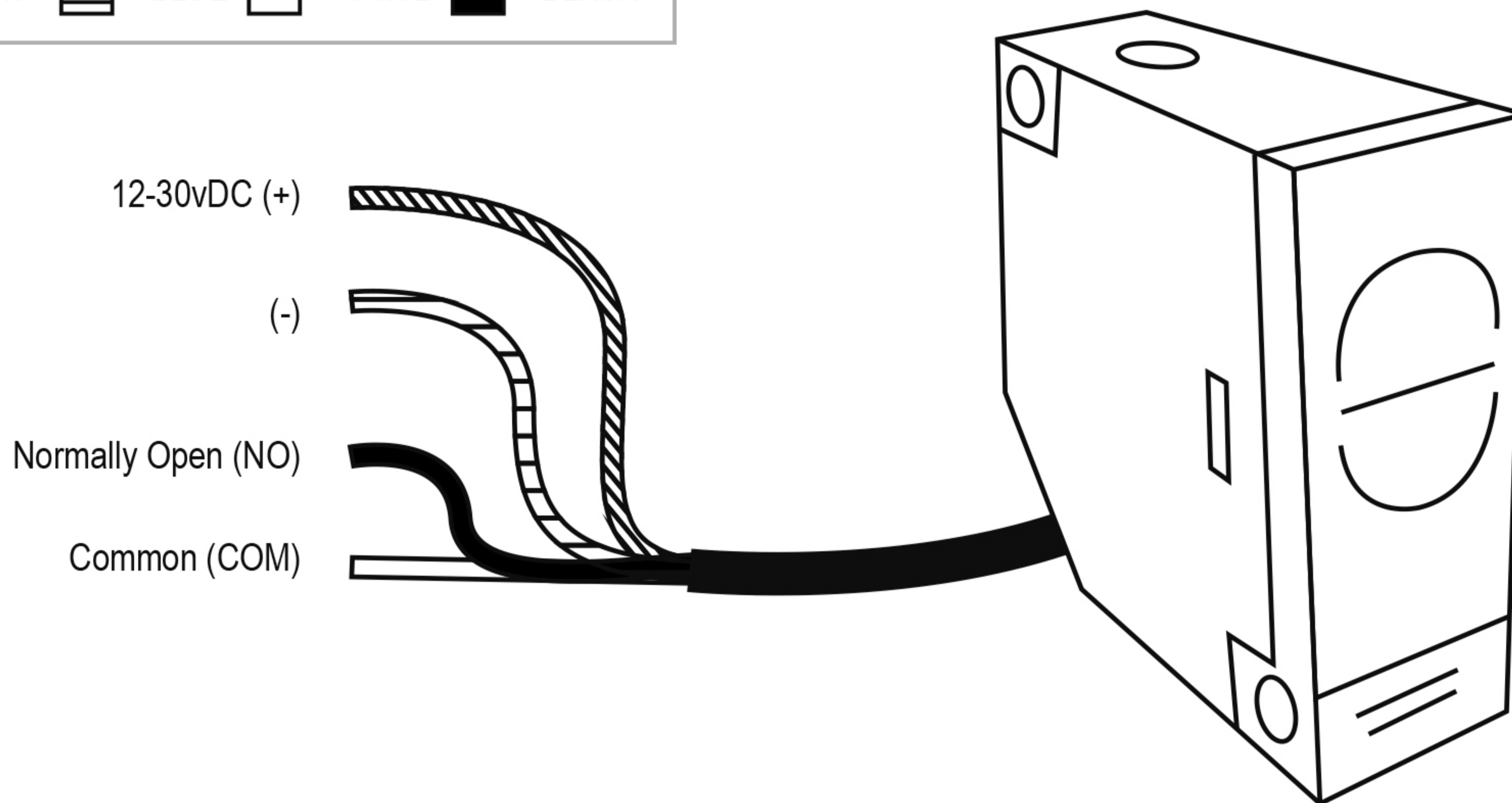
BEAM SENSOR DIFFUSED - 3' RANGE

PRODUCT CODE: HB-1ABT

www.frightprops.com

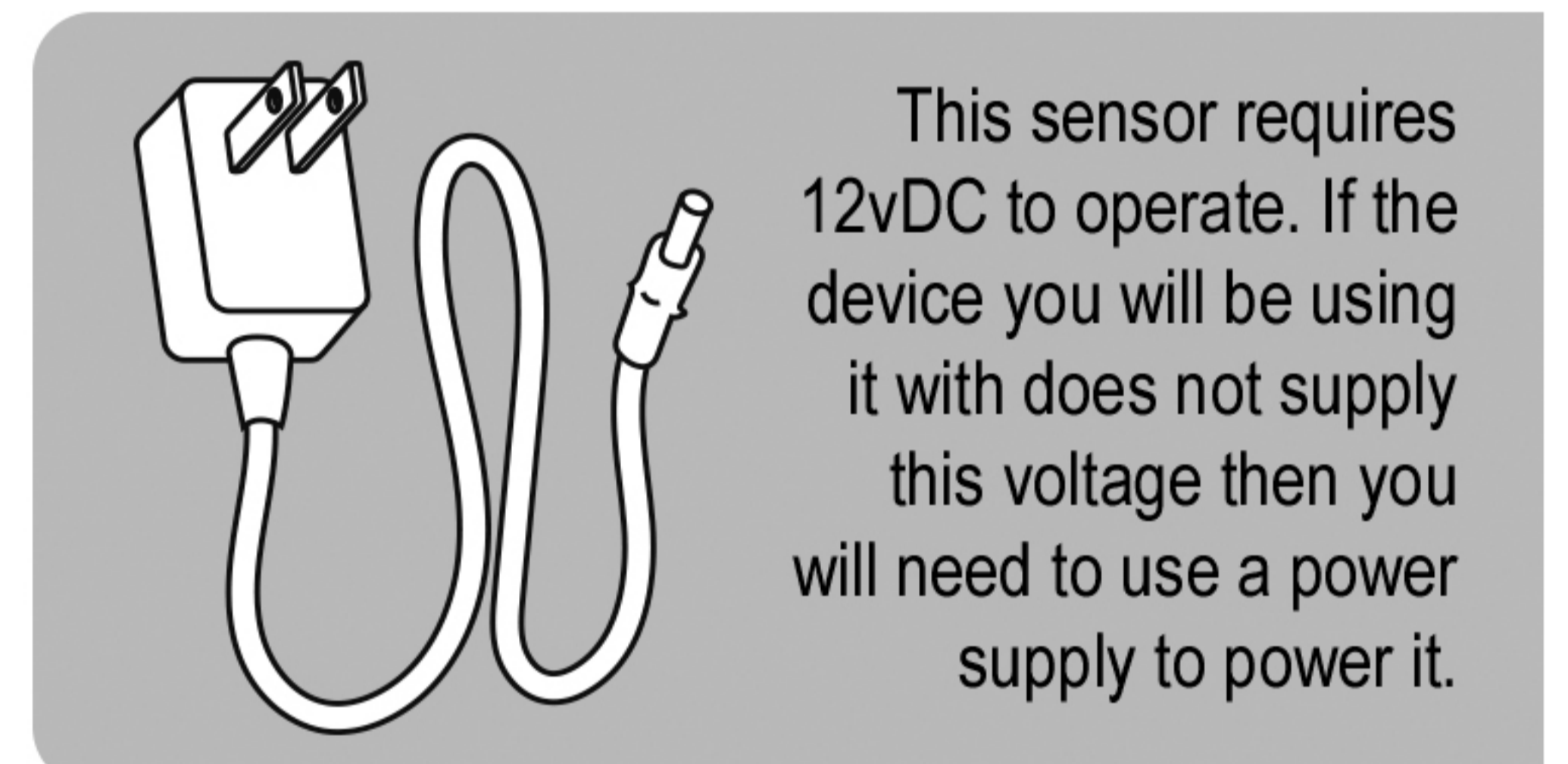
OPERATION

When beam is broken WHITE and BLACK are contacted together completing a circuit and WHITE is opened. The Beam Sensor must have 10-30VDC supplied to the BROWN (+) and BLUE (-) wires.

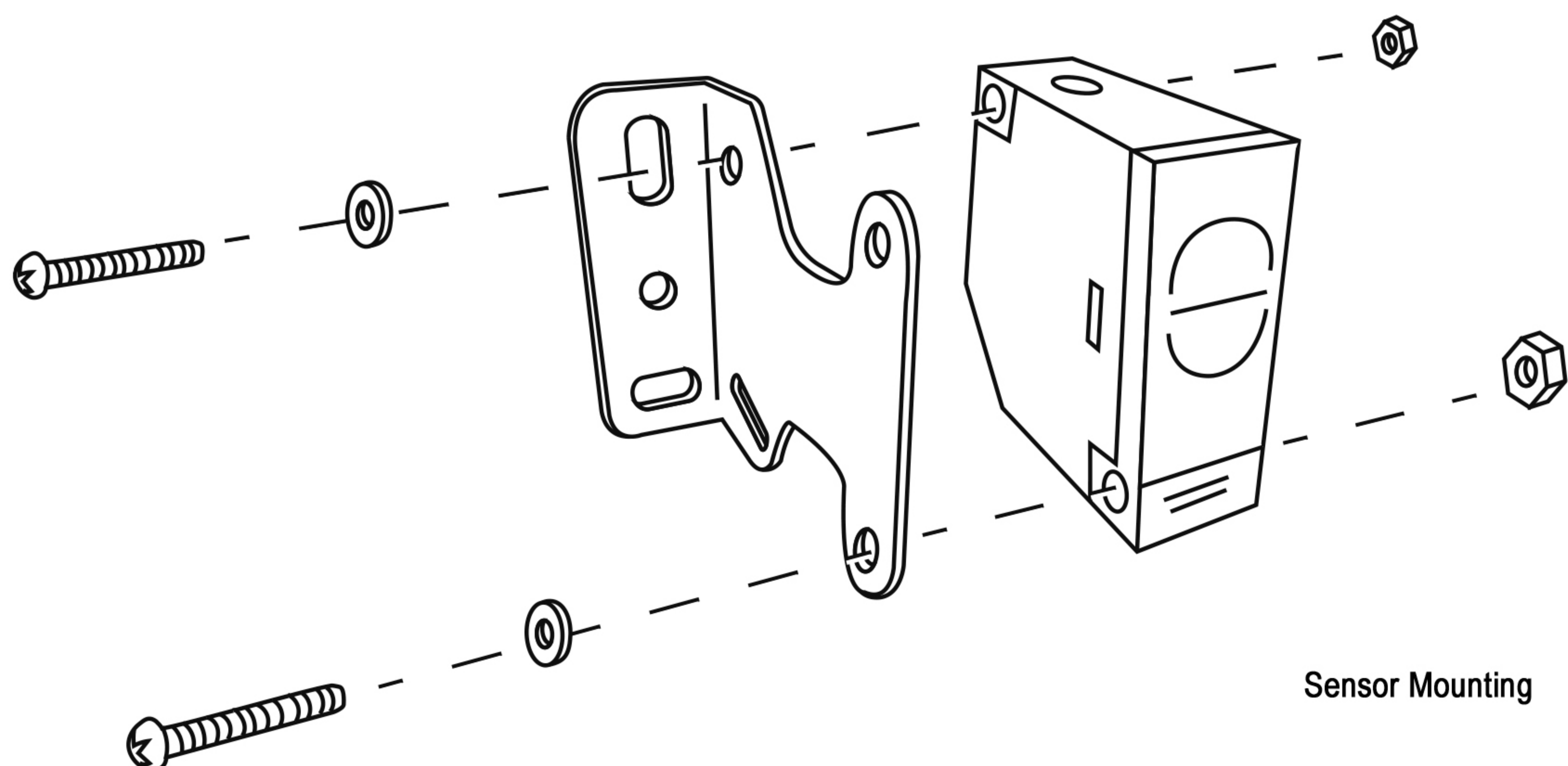


FEATURES

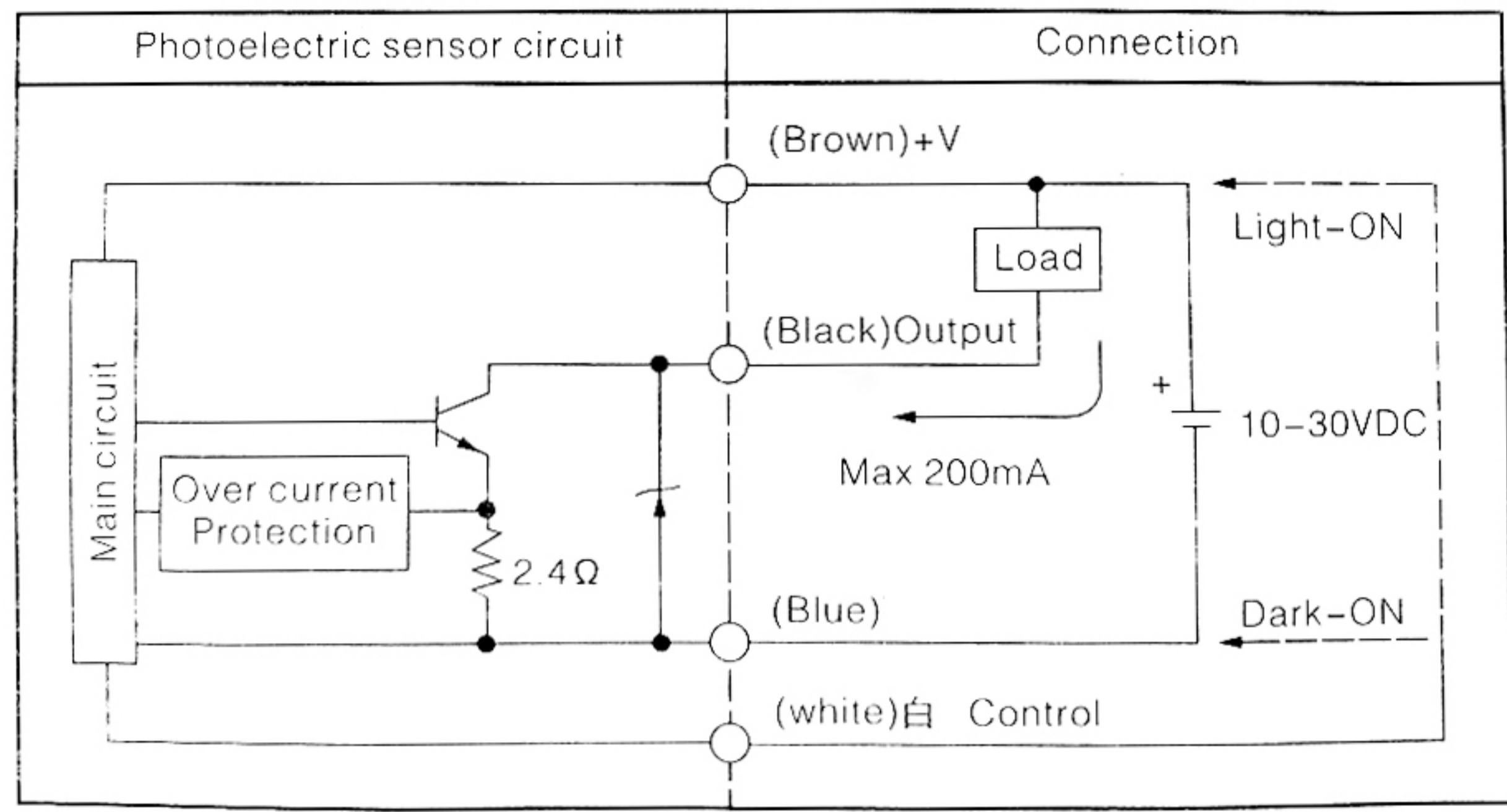
- No reflector required
- Range: 3 ft
- DC 10-30VDC
- Output Load: 200 mA @ 30V DC
- Pre-wired 6-foot cord
- Bracket and mounting hardware included
- Adjustable sensing distance
- Compact size



INSTALLATION AND ADJUSTMENT



WIRING DIAGRAM



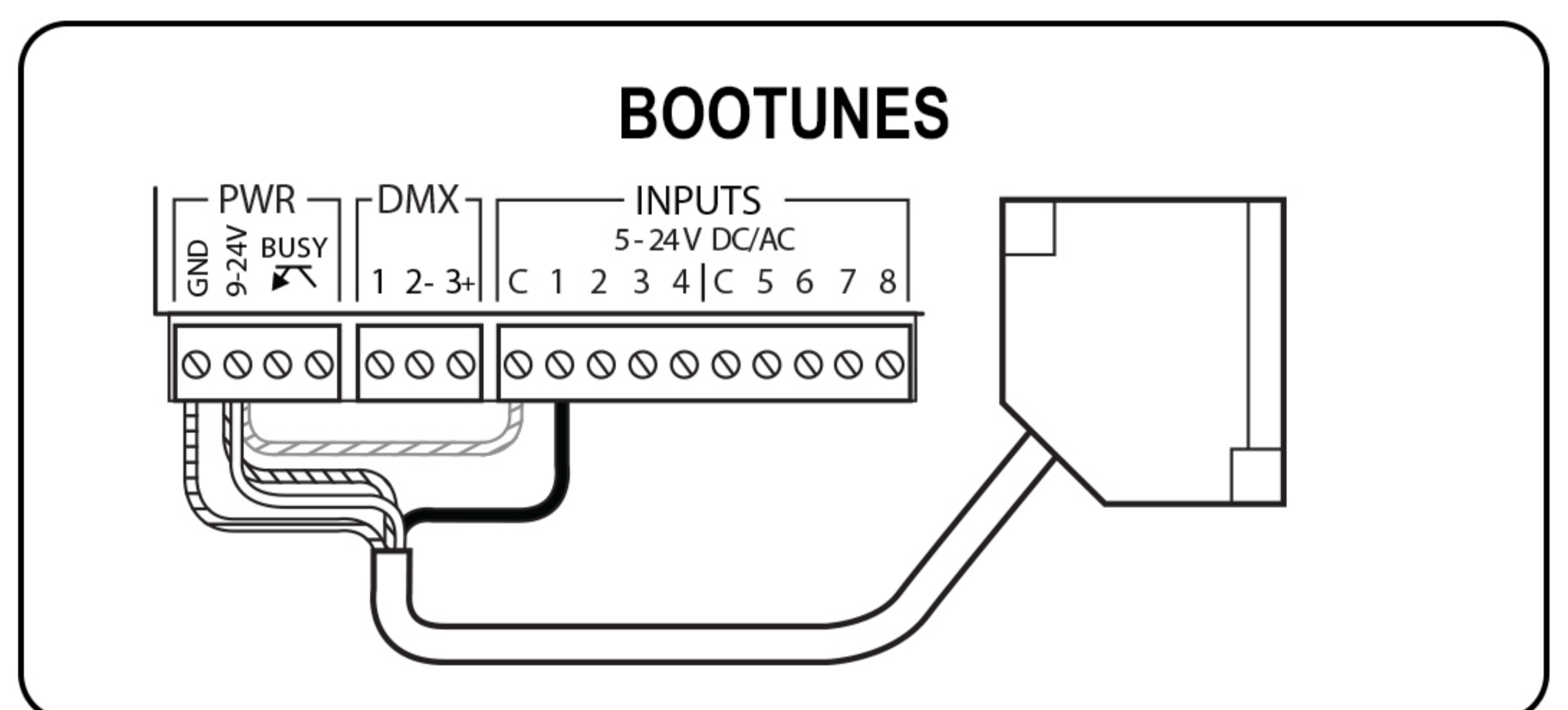
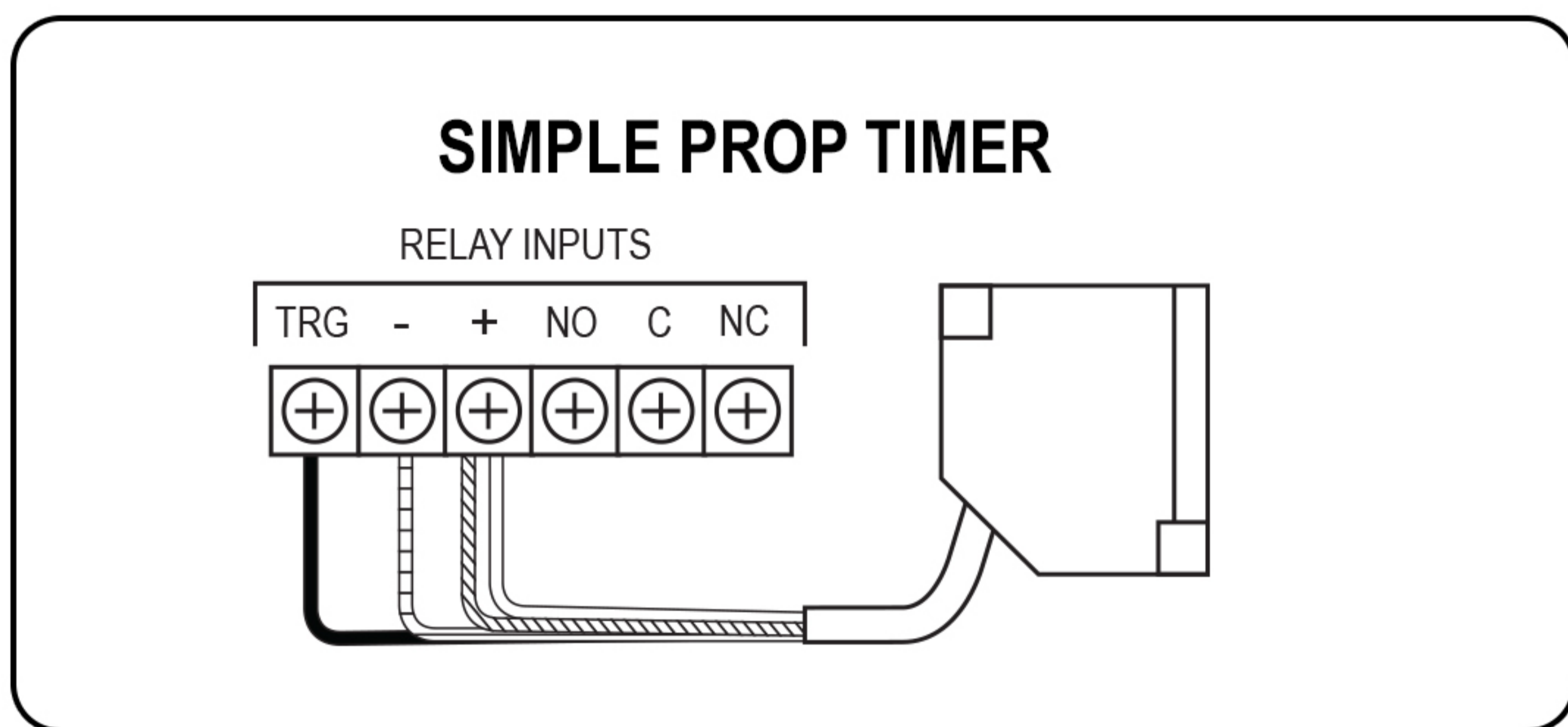
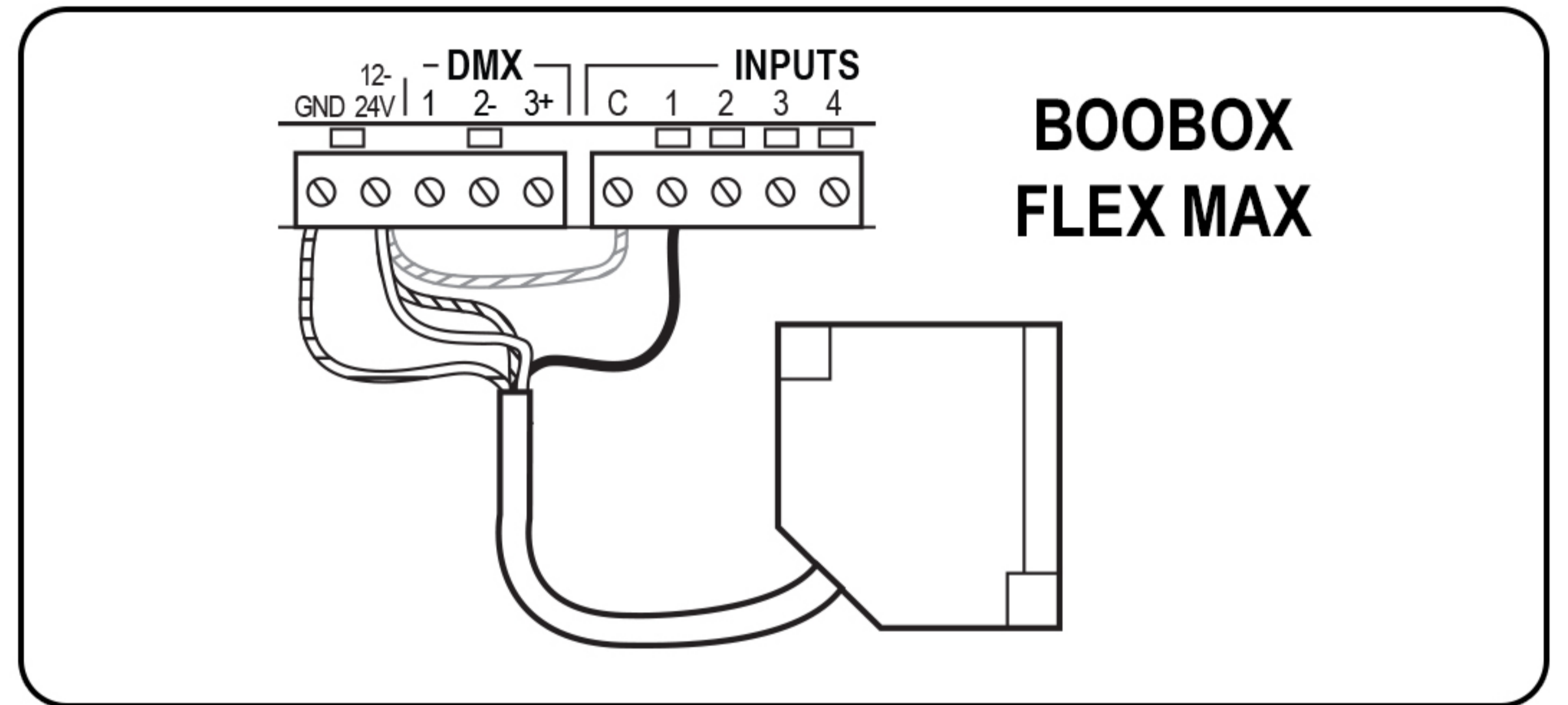
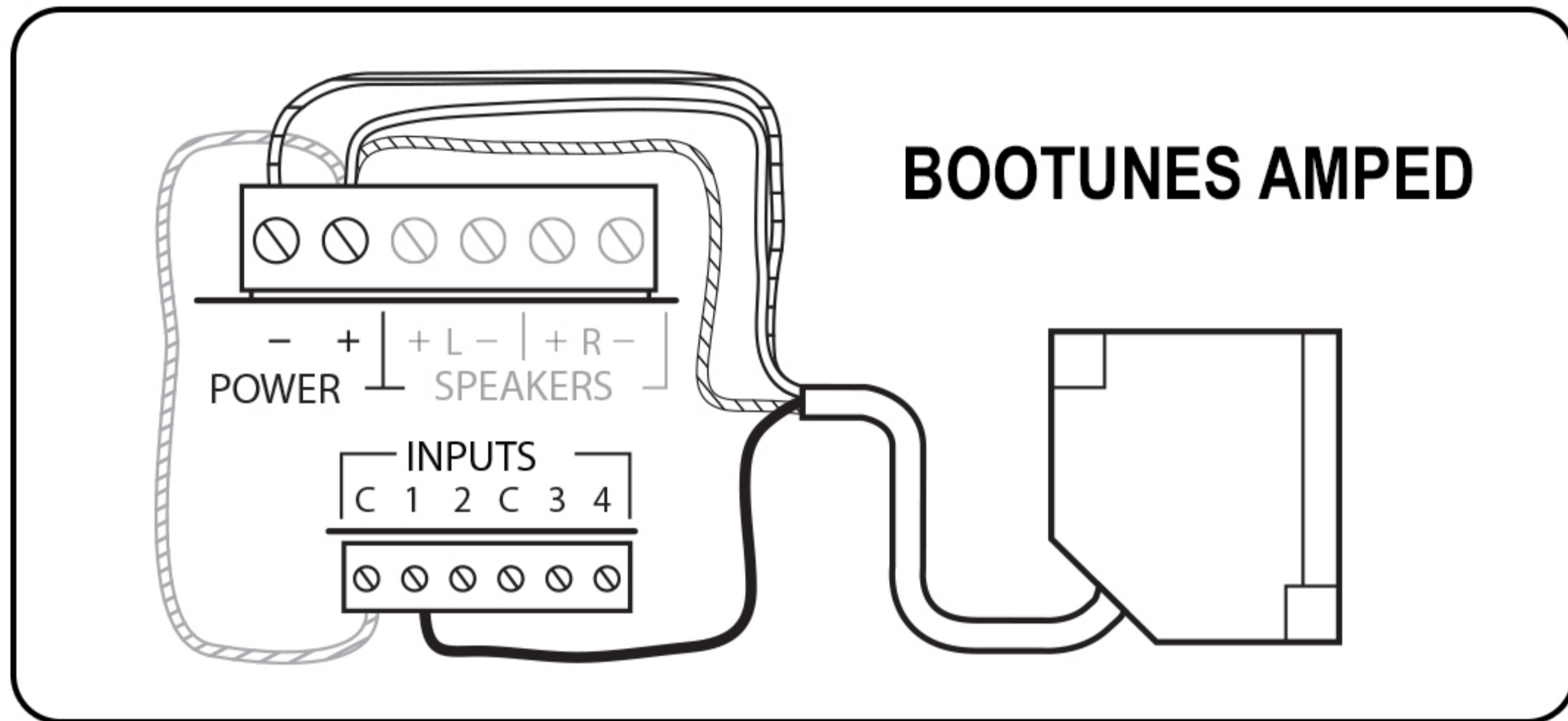
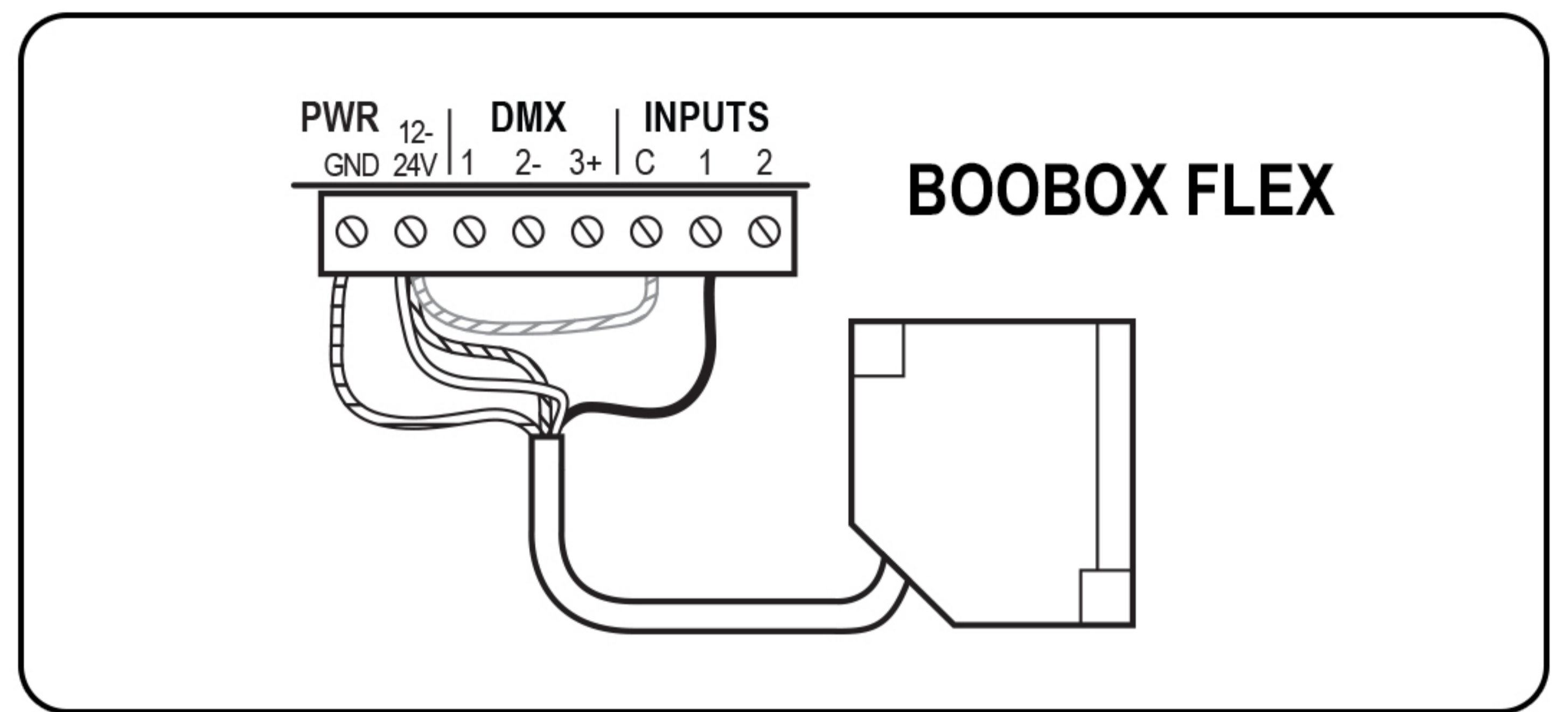
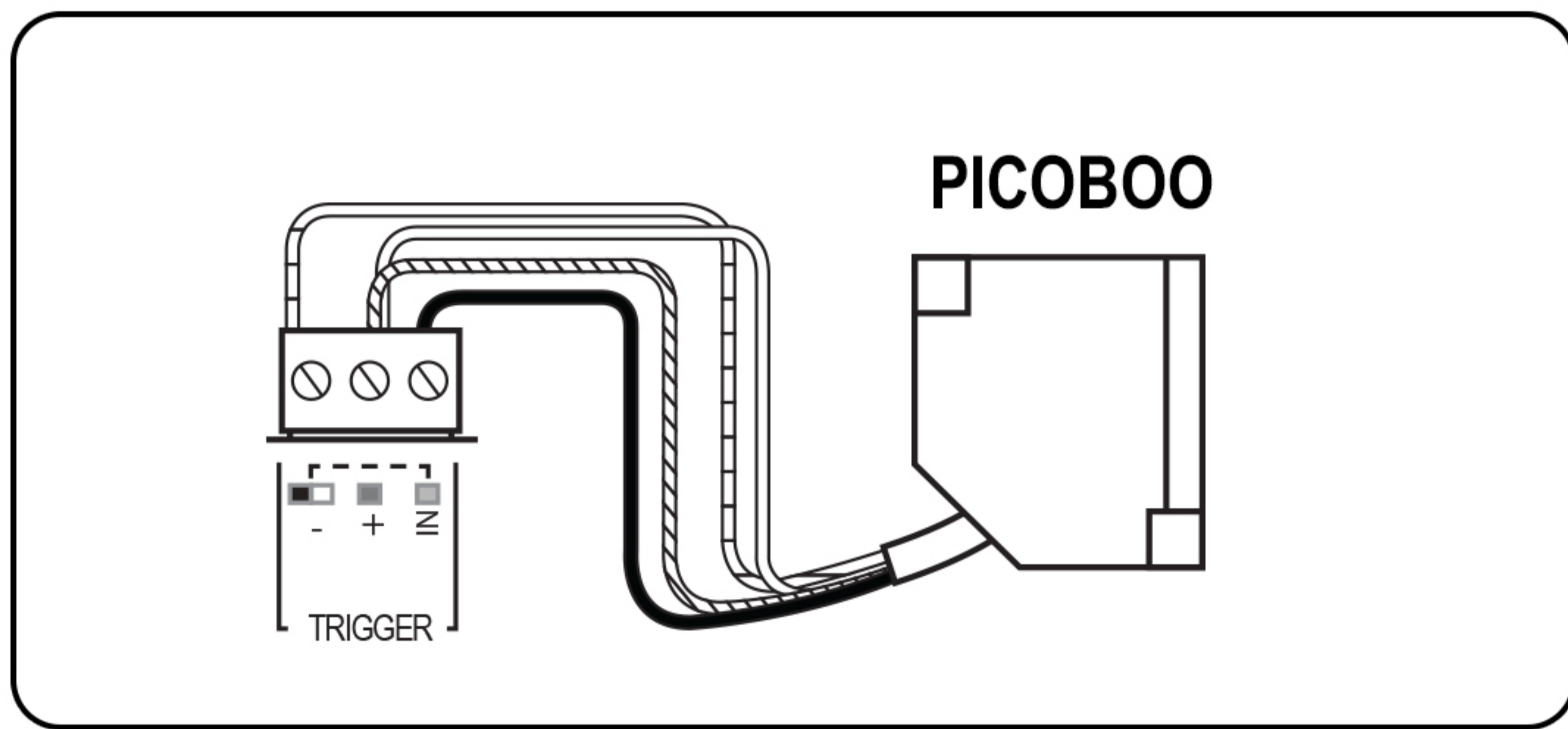
Selectable Light ON/Dark ON mode by control wire.

NOTES

- Strobe lights may cause unpredictable behavior from the diffused beam sensors.
- This product can be used outdoors but must be protected from moisture at all times.

COMMON WIRING CONFIGURATIONS

= BROWN
 = BLUE
 = WHITE
 = BLACK
 = RED (JUMPER)



For more support information visit www.frightprops.com/faq